

Clearances

"A"
Horizontal distance to adjacent surface
100mm if smooth, 325mm if irregular

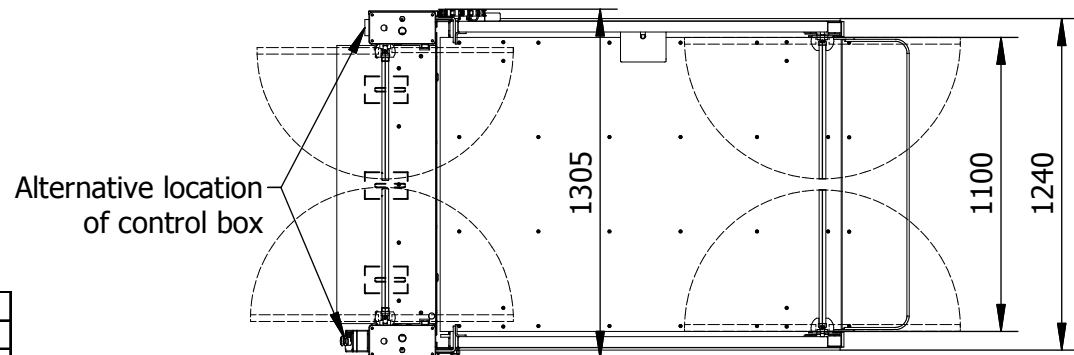
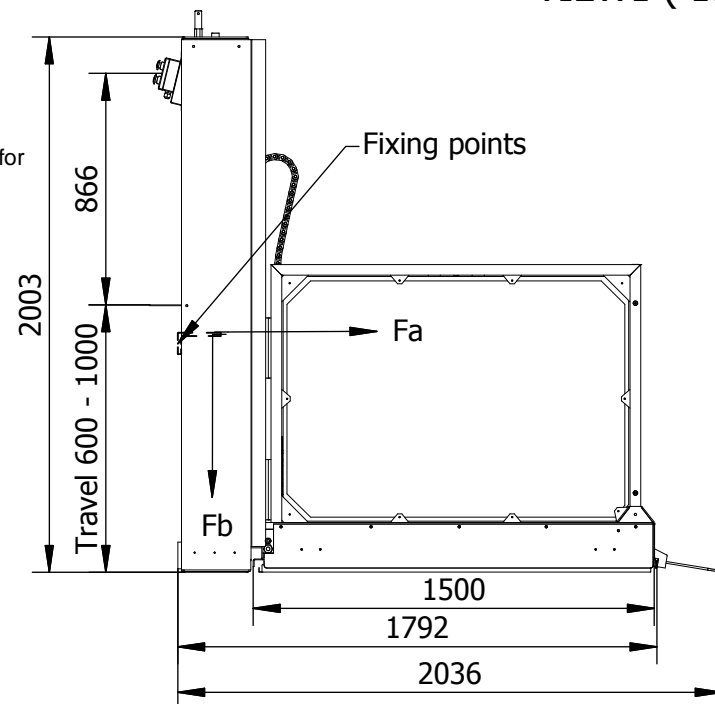
Anchors
Horizontal & Vertical 3 minimum (see installation information) for further details of substrate requirements and type
(Only use the fixation angles in the upper level)

Platform floor finish
Standard - Aluminium chequer plate

Electrical supply (Main switch)
1ph L, N, PE, 3 x 2,5mm² 16A

Technical Data
Rated capacity: 400kg / 2 person
Speed: 0,08m / s
Drive: 3,0kW Electrical motor / Belt drive
Electrical Connection: Single phase, 3 x 2,5mm²
Control voltage: 24Volts
Soft start / Stop by frequency inverter

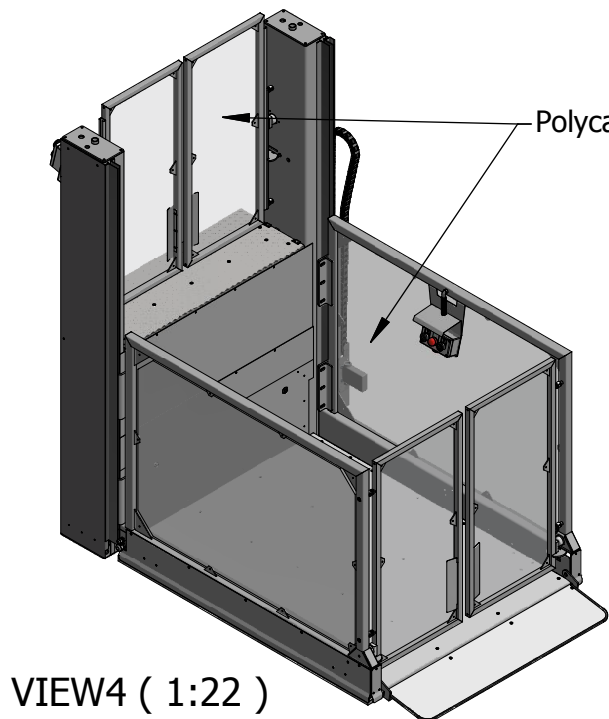
VIEW1 (1:20)



HORIZONTAL FORCES	
Fixing height mm	Total Anchor Force Fa, kN
400	25,8
600	17,2
800	12,9
1000	10,3

Fb= Vertical force of 10kN spread over area of 1300 x 250mm

Polycarbonate



VIEW4 (1:22)

Designed by Markku	Checked by	Approved by	Date 2017-10-16	Date 2012-03-07	Lh=1000
MPR LIFTS AB			MID 1000		
			16009	Edition 2	Sheet 1 / 1