

Clearances

"A"

Horizontal distance between the platform and the wall  
145mm if smooth, 355mm if irregular

Anchors

Horizontal & Vertical 3 minimum (see installation information) for further details of substrate requirements and type  
(Only use the fixation angles in the upper level)

Platform floor finish

Standard - Aluminium chequer plate

Electrical supply (Main switch)

1ph L, N, PE, 3 x 2,5mm<sup>2</sup> 16A

Technical Data

Rated capacity: 400kg / 2 person

Speed: 0,08m / s

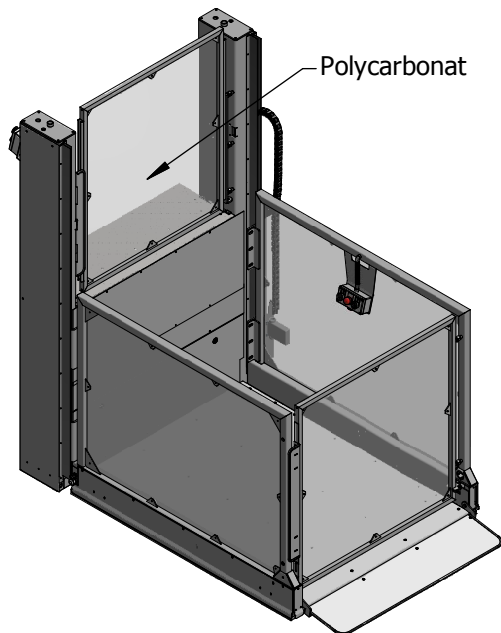
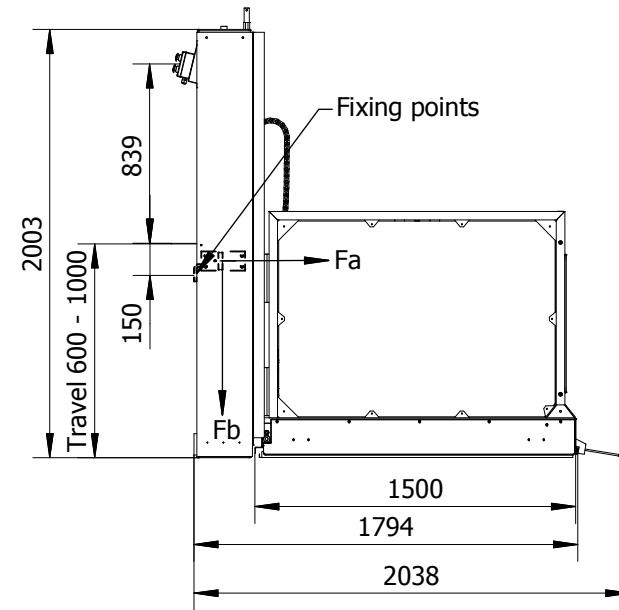
Drive: 3,0kW Electrical motor / Belt drive

Electrical Connection: Single phase, 3 x 2,5mm<sup>2</sup>

Control voltage: 24Volts

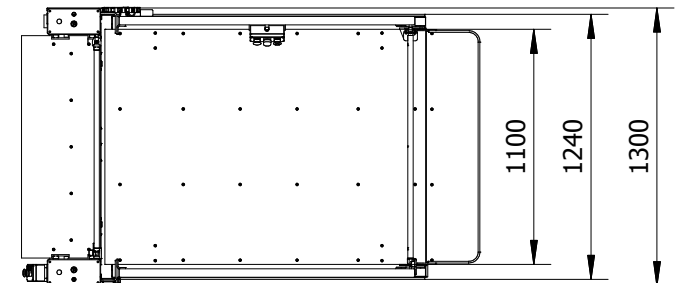
Soft start / Stop by frequency invertor

Drive system: Screw / Nut, dubble



HORIZONTAL FORCES	
Fixing height mm	Total Anchor Force Fa, kN
400	25,8
600	17,2
800	12,9
1000	10,3
1200	8,6
1400	7,4
1600	6,5
1800	5,7
2000	5,2
2200	4,7
2400	4,3
2600	4
2800	3,7

Fb= Vertical force of 10kN spread over area of 1300 x 250mm



Designed by Markku	Checked by	Approved by	Date 2018-03-22	Date 2018-03-07	Lh=1000
MPR LIFTS AB			Strategos Superior automatic doors		
			16009	Edition	Sheet 1 / 1